



BZT52BXXS

DIODE

SURFACE MOUNT SILICON ZENER DIODE

DESCRIPTION

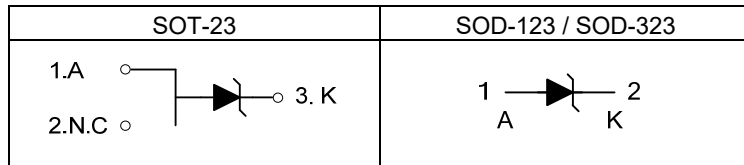
The UTC **BZT52BXXS** is a surface mount silicon Zener Diode using UTC's advanced technology to provide customers with low power dissipation.

The UTC **BZT52BXXS** is universally applied in Automated Assembly Processes.

FEATURES

- * Low Power Dissipation: 200mW
- * Zener Voltage
- * Planar Die construction

SYMBOL

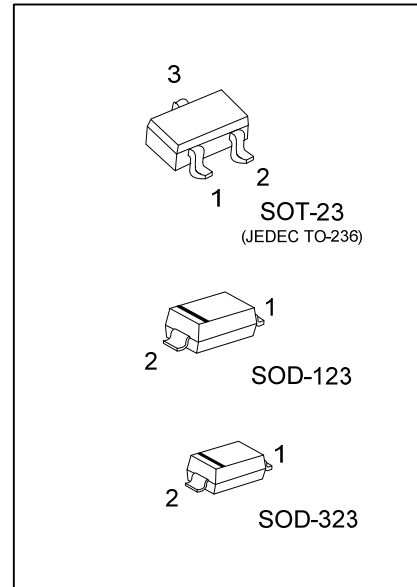


ORDERING INFORMATION

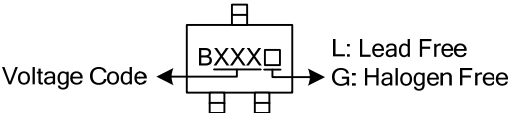
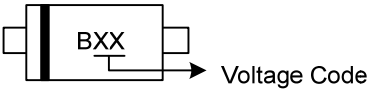
Ordering Number		Package	Pin Assignment			Packing
Lead Free	Halogen Free		1	2	3	
BZT52BXXXSL-AE3-R	BZT52BXXXSG-AE3-R	SOT-23	A	NC	K	Tape Reel
BZT52BXXXSL-CA2-R	BZT52BXXXSG-CA2-R	SOD-123	A	K	-	Tape Reel
BZT52BXXXSL-CB2-R	BZT52BXXXSG-CB2-R	SOD-323	A	K	-	Tape Reel

Note: Pin Assignment: A: Anode K: Cathode

<p>BZT52BXXXSG-AE3-R</p> <p>(1)Packing Type (2)Package Type (3)Green Package (4)Output Voltage Code</p>	<p>(1) R: Tape Reel (2) AE3: SOT-23, CA2: SOD-123, CB2 : SOD-323 (3) G: Halogen Free and Lead Free, L: Lead Free (4) XXX: 5.0: 5.0V, 6.0: 6.0V... 75: 75V</p>
---	---



■ MARKING INFORMATION

PACKAGE	VOLTAGE CODE		MARKING
SOT-23	A: 2.4V C: 2.7V E: 3.0V F: 3.3V G: 3.6V H: 3.9V J: 4.3V K: 4.7V L: 5.1V M: 5.6V P: 6.2V Q: 6.8V R: 7.5V S: 8.2V T: 8.7V U: 9.1V 10: 10V 11: 11V 12: 12V 13: 13V 14: 14V	15: 15V 16: 16V 17: 17V 18: 18V 20: 20V 22: 22V 24: 24V 27: 27V 28: 28V 30: 30V 33: 33V 36: 36V 39: 39V 43: 43V 47: 47V 51: 51V 56: 56V 62: 62V 68: 68V 75: 75V	 <p>L: Lead Free G: Halogen Free</p>
SOD-123 SOD-323			 <p>Voltage Code</p>

BZT52BXXS

DIODE

■ ABSOLUTE MAXIMUM RATINGS (T_A=25°C, unless otherwise specified)

Single phase, half wave, 60Hz, resistive or inductive load. For capacitance load, derate current by 20%.

PARAMETER		SYMBOL	RATINGS	UNIT
Forward Voltage	I _F =10mA	V _F	0.9	V
Thermal characteristics				
Power Dissipation (T _A =25°C) (Note 2)		P _D	200	mW
Junction Temperature		T _J	+150	°C
Storage Temperature		T _{STG}	-55 ~ +150	°C

Notes: 1. Absolute maximum ratings are those values beyond which the device could be permanently damaged.

Absolute maximum ratings are stress ratings only and functional device operation is not implied.

2. Mounted on 5.0mm²(.013mm thick) land areas.

■ ELECTRICAL CHARACTERISTICS (T_A=25°C, unless otherwise specified)

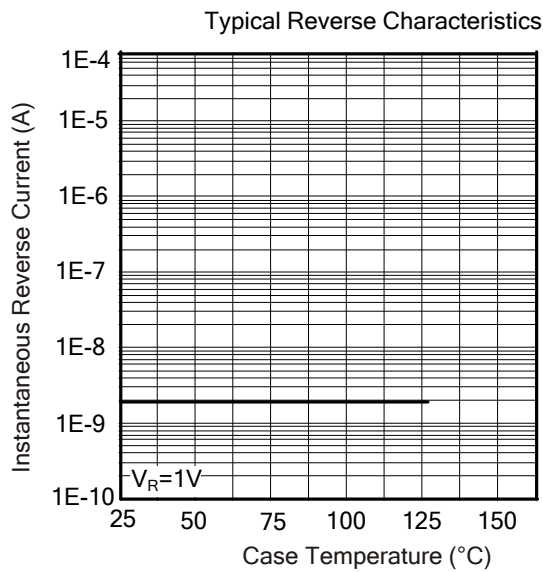
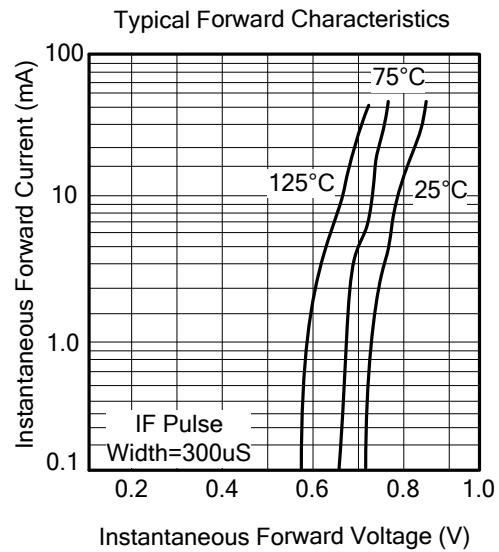
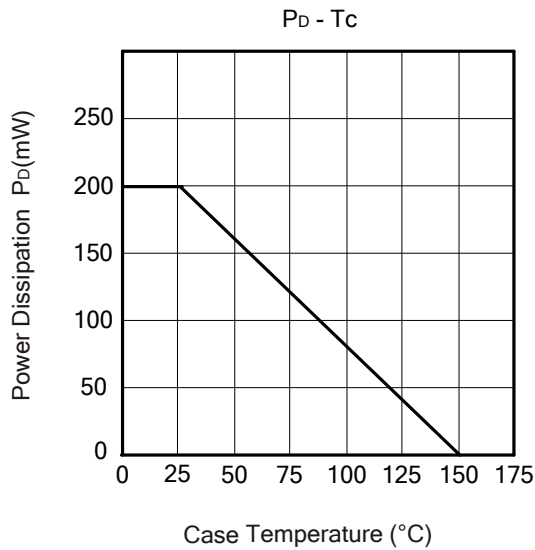
(V_F = 0.9V Max @ I_F = 10mA for all types.)

Part Number	Marking Code	Nominal Zener Voltage				Max Zener Impedance				Max Reverse Leakage Current (Note)	
		V _Z @ I _{ZT} (V)			I _{ZT}	Z _{ZT} @ I _{ZT}		Z _{ZK} @ I _{ZK}		I _R	@V _R
		MIN	TYP	MAX	mA	(Ω)	mA	(Ω)	mA	(μA)	(V)
BZT52B2V4S	A	2.35	2.4	2.45	5.0	85	5.0	600	1.00	100	1.0
BZT52B2V7S	C	2.64	2.7	2.75	5.0	83	5.0	600	1.00	75	1.0
BZT52B3S	E	2.94	3.0	3.06	5.0	95	5.0	600	1.00	50	1.0
BZT52B3V3S	F	3.23	3.3	3.37	5.0	95	5.0	600	1.00	25	1.0
BZT52B3V6S	G	3.52	3.6	3.67	5.0	95	5.0	600	1.00	15	1.0
BZT52B3V9S	H	3.82	3.9	3.98	5.0	95	5.0	600	1.00	10	1.0
BZT52B4V3S	J	4.21	4.3	4.39	5.0	95	5.0	600	1.00	5.0	1.0
BZT52B4V7S	K	4.61	4.7	4.79	5.0	78	5.0	500	1.00	5.0	1.0
BZT52B5V1S	L	5.00	5.1	5.20	5.0	60	5.0	480	1.00	0.1	0.8
BZT52B5V6S	M	5.49	5.6	5.71	5.0	40	5.0	400	1.00	0.1	1.0
BZT52B6V2S	P	6.08	6.2	6.32	5.0	10	5.0	150	1.00	0.1	2.0
BZT52B6V8S	Q	6.66	6.8	6.94	5.0	8	5.0	80	1.00	0.1	3.0
BZT52B7V5S	R	7.35	7.5	7.65	5.0	7	5.0	80	1.00	0.1	5.0
BZT52B8V2S	S	8.04	8.2	8.36	5.0	7	5.0	80	1.00	0.1	6.0
BZT52B8V7S	T	8.53	8.7	8.87	5.0	7	5.0	100	1.00	0.1	6.5
BZT52B9V1S	U	8.92	9.1	9.28	5.0	10	5.0	100	1.00	0.1	7.0
BZT52B10S	10	9.80	10	10.20	5.0	15	5.0	150	1.00	0.1	7.5
BZT52B11S	11	10.78	11	11.22	5.0	20	5.0	150	1.00	0.1	8.5
BZT52B12S	12	11.76	12	12.24	5.0	20	5.0	150	1.00	0.1	9.0
BZT52B13S	13	12.74	13	13.26	5.0	25	5.0	170	1.00	0.1	10.0
BZT52B14S	14	13.72	14	14.28	5.0	25	5.0	170	1.00	0.1	10.5
BZT52B15S	15	14.70	15	15.30	5.0	30	5.0	200	1.00	0.1	11.0
BZT52B16S	16	15.68	16	16.32	5.0	40	5.0	200	1.00	0.1	12.0
BZT52B17S	17	16.66	17	17.34	5.0	40	5.0	200	1.00	0.1	13.0
BZT52B18S	18	17.64	18	18.36	5.0	50	5.0	225	1.00	0.1	14.0
BZT52B20S	20	19.60	20	20.40	5.0	50	5.0	225	1.00	0.1	15.0
BZT52B22S	22	21.56	22	22.44	5.0	55	5.0	250	1.00	0.1	17.0
BZT52B24S	24	23.52	24	24.48	5.0	80	5.0	250	1.00	0.1	18.0
BZT52B27S	27	26.46	27	27.54	5.0	80	5.0	300	1.00	0.1	20.0
BZT52B28S	28	27.44	28	28.56	5.0	80	5.0	300	1.00	0.1	22.0

■ ELECTRICAL CHARACTERISTICS (Cont.)

Part Number	Marking Code	Nominal Zener Voltage				Max Zener Impedance				Max Reverse Leakage Current (Note)	
		V _Z @ I _{ZT} (V)			I _{ZT}	Z _{ZT} @ I _{ZT}		Z _{ZK} @ I _{ZK}		I _R	@V _R
		MIN	TYP	MAX	mA	(Ω)	mA	(Ω)	mA	(μA)	(V)
BZT52B30S	30	29.40	30	30.60	5.0	80	5.0	300	1.00	0.1	22.5
BZT52B33S	33	32.34	33	33.66	5.0	80	5.0	325	1.00	0.1	25.0
BZT52B36S	36	35.28	36	36.72	5.0	90	5.0	350	1.00	0.1	27.0
BZT52B39S	39	38.22	39	39.78	5.0	90	5.0	350	1.00	0.1	29.0
BZT52B43S	43	42.14	43	43.86	5.0	100	5.0	375	1.00	0.1	32.0
BZT52B47S	47	46.06	47	47.94	5.0	100	5.0	375	1.00	0.1	35.0
BZT52B51S	51	49.98	51	52.02	5.0	100	5.0	400	1.00	0.1	38.0
BZT52B56S	56	54.88	56	57.12	2.5	135	2.5	1000	1.00	0.1	42.0
BZT52B62S	62	60.76	62	63.24	2.5	150	2.5	1000	1.00	0.1	46.0
BZT52B68S	68	66.64	68	69.36	2.5	200	2.5	1000	1.00	0.1	51.0
BZT52B75S	75	73.50	75	76.50	2.5	250	2.5	1000	1.00	0.1	56.0

■ TYPICAL CHARACTERISTICS



UTC assumes no responsibility for equipment failures that result from using products at values that exceed, even momentarily, rated values (such as maximum ratings, operating condition ranges, or other parameters) listed in products specifications of any and all UTC products described or contained herein. UTC products are not designed for use in life support appliances, devices or systems where malfunction of these products can be reasonably expected to result in personal injury. Reproduction in whole or in part is prohibited without the prior written consent of the copyright owner. UTC reserves the right to make changes to information published in this document, including without limitation specifications and product descriptions, at any time and without notice. This document supersedes and replaces all information supplied prior to the publication hereof.