



R200LD10

LINEAR INTEGRATED CIRCUIT

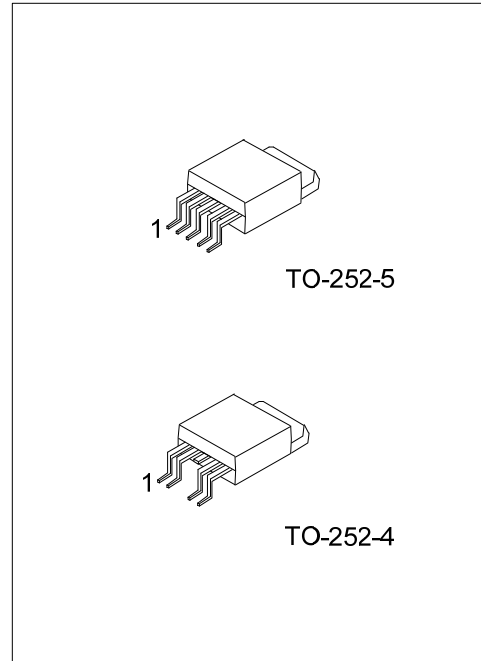
VOLTAGE REGULATOR

■ DESCRIPTION

The UTC **R200LD10** shows a high current, high accuracy, low-dropout voltage. The features are: low dropout voltage, very low ground current. Cause the series have been designed for high current loads, so they are also used in lower current, extremely low dropout-critical systems (in which their tiny dropout voltage and ground current values are important attributes).

■ FEATURES

- * Built-in ON/OFF function,
- * Over current protection function,
- * ASO protection function
- * Overheat protection function
- * 0.3A / 3.3V(R1=2KΩ)
Output low dropout voltage regulator

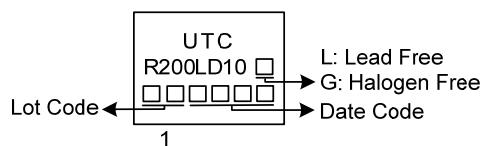


■ ORDERING INFORMATION

Ordering Number		Package	Packing
Lead Free	Halogen Free		
R200LD10L-TN4-L	R200LD10G-TN4-L	TO-252-4	Tape Reel (Reserve Feed)
R200LD10L-TN4-R	R200LD10G-TN4-R	TO-252-4	Tape Reel (Standard Feed)
R200LD10L-TN4-T	R200LD10G-TN4-T	TO-252-4	Tube
R200LD10L-TN5-R	R200LD10G-TN5-R	TO-252-5	Tape Reel
R200LD10L-TN5-T	R200LD10G-TN5-T	TO-252-5	Tube

<p>R200LD10G-TN4-R</p> <p>(1) Packing Type (2) Package Type (3) Green Package</p>	<p>(1) R: Tape Reel (Standard Feed), T: Tube L: Tape Reel (Reserve Feed) (2) TN4: TO-252-4, TN5: TO-252-5 (3) G: Halogen Free and Lead Free, L: Lead Free</p>
---	---

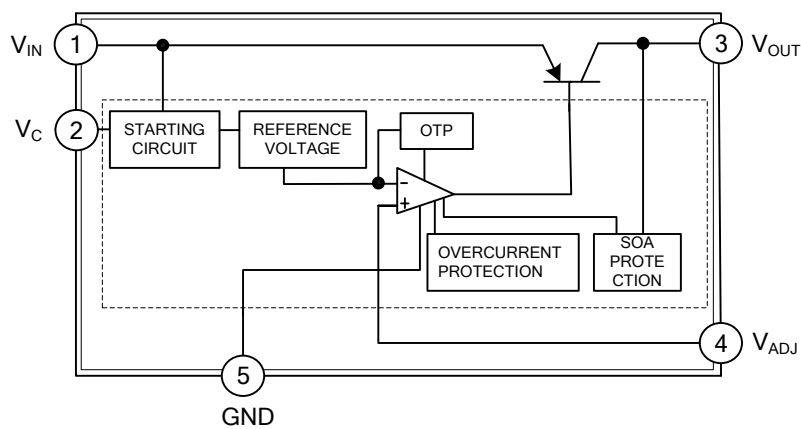
■ MARKING



■ PIN DESCRIPTIONS

PIN NO.	PIN NAME	PIN FUNCTION
1	V_{IN}	DC Input Voltage.
2	V_C	On/Off Control
3	V_{OUT}	DC Output Voltage. (Thermal Pad Connected to V_{OUT})
4	V_{ADJ}	Output Voltage Adjustment
5	GND	Ground

■ BLOCK DIAGRAM



■ ABSOLUTE MAXIMUM RATINGS (T_A=25°C, unless otherwise specified)

PARAMETER	SYMBOL	RATINGS	UNIT
Input Voltage (Note 2)	V _{IN}	24	V
ON/OFF Control Terminal Voltage (Note 2)	V _C	24	V
Output Adjustment Pin Voltage (Note 2)	V _{ADJ}	5	V
Output Current	I _{OUT}	1	A
Power Dissipation (with infinite heat sink)	P _D	8	W
Junction Temperature	T _J	+150	°C
Operating Temperature	T _{OPR}	-40 ~ +85	°C
Storage Temperature	T _{STG}	-40 ~ +150	°C

Notes: 1. Absolute maximum ratings are those values beyond which the device could be permanently damaged.

Absolute maximum ratings are stress ratings only and functional device operation is not implied.

2. All are open except GND and applicable terminals.

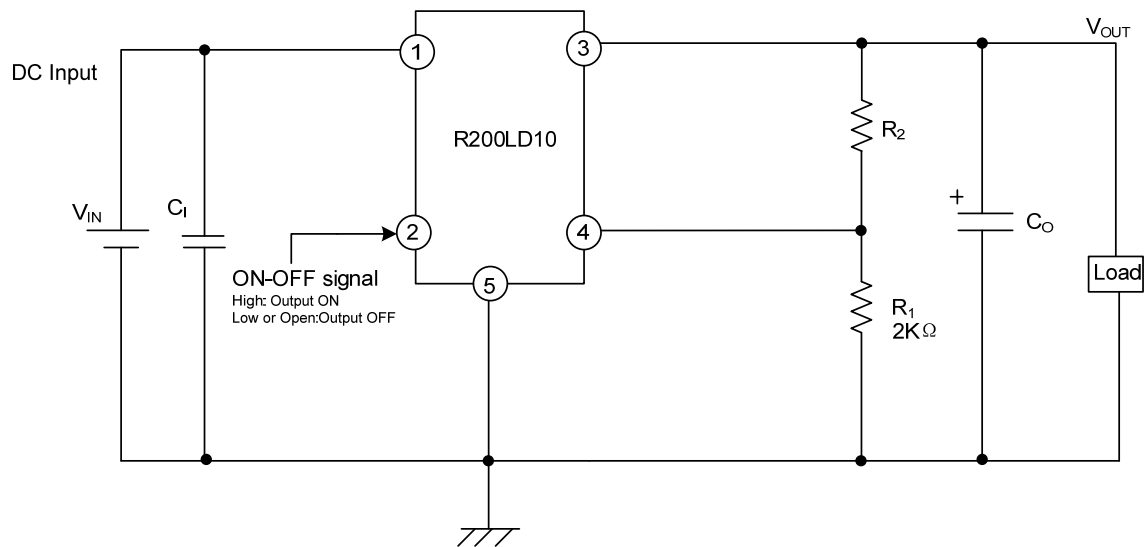
■ ELECTRICAL CHARACTERISTICS

(V_{IN}=5V, V_{OUT}=3.3 V(R₁=2kΩ), I_{OUT}=0.3A, V_C=2.7V, T_J=25°C, C_I=0.33μF, C_O=10μF, unless otherwise specified)

PARAMETER	SYMBOL	CONDITIONS	MIN	TYP	MAX	UNIT
Input Voltage	V _{IN}		3.5		24	V
Output Voltage	V _{OUT}		3.0		20	V
Load Regulation	$\Delta V_{OUT}/\Delta I_{OUT}$	I _{OUT} = 5mA~ 1A			1.0	%
Line Regulation	$\Delta V_{OUT}/\Delta V_{IN}$	V _{IN} = 4~ 10V, I _{OUT} =5mA			1.0	
Ripple Rejection	RR	Refer to Fig 3		60		dB
Dropout Voltage	V _D	V _{IN} =3.5V			0.5	V
Reference Voltage	V _{REF}		2.583	2.65	2.717	
Temperature Coefficient of Reference Voltage	T _C V _{REF}	T _J =0 ~ 125°C, I _{OUT} = 5mA		±1.0		%
On-State Voltage for Control	V _{C(ON)}	(Note)	2.0			V
On-State Current for Control	I _{C(ON)}				200	μA
On-State Voltage for Control	V _{C(OFF)}	I _{OUT} =0A			0.8	V
On-State Current for Control	I _{C(OFF)}	I _{OUT} =0A, V _C =0.4V			-2	μA
Quiescent Current	I _Q	I _{OUT} =0A			8	mA
Output Off-State Consumption Current	I _{QS}	V _C =0.4V			5	μA

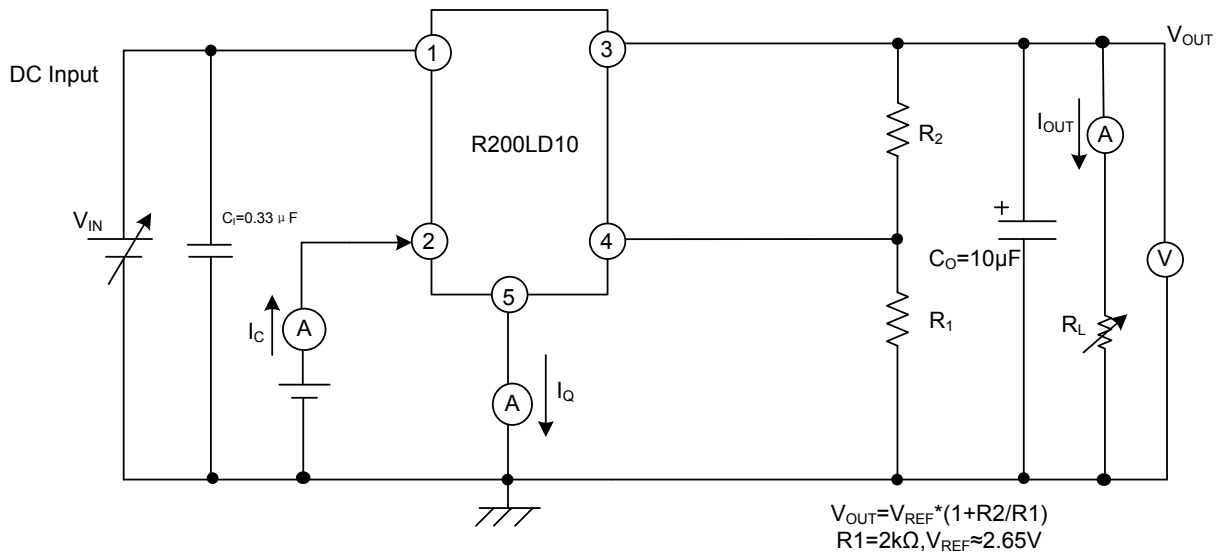
Note: In case of V_C pin, output voltage turns OFF.

■ TYPICAL APPLICATION CIRCUIT

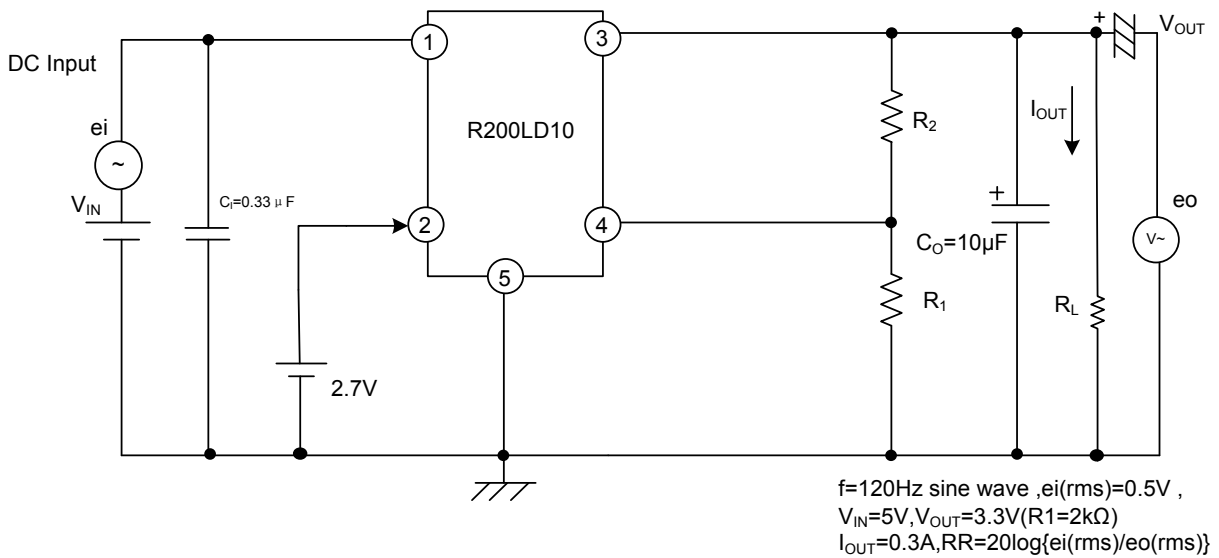


■ TEST CIRCUIT

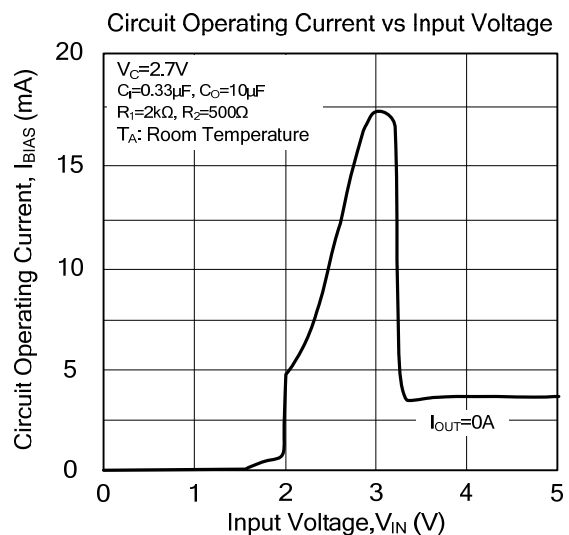
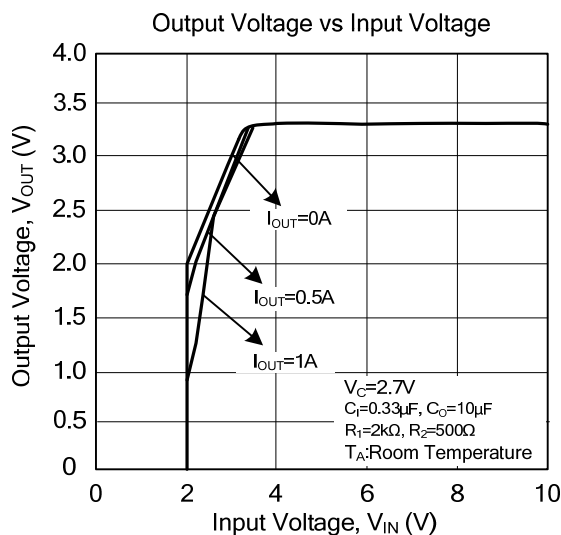
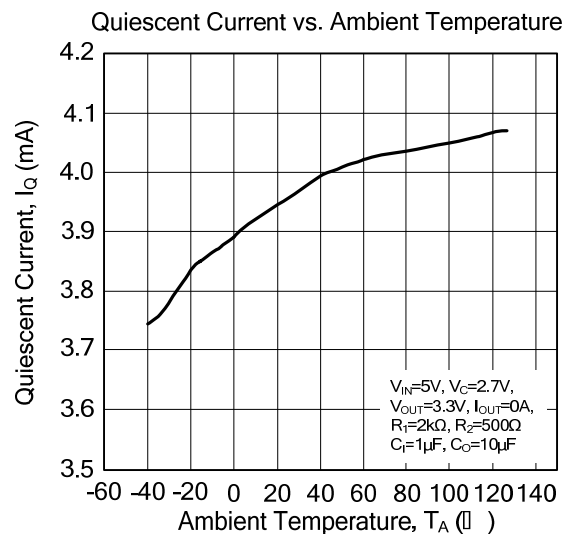
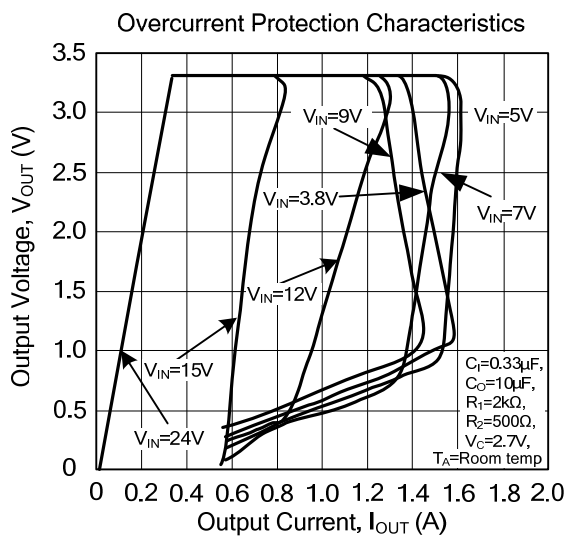
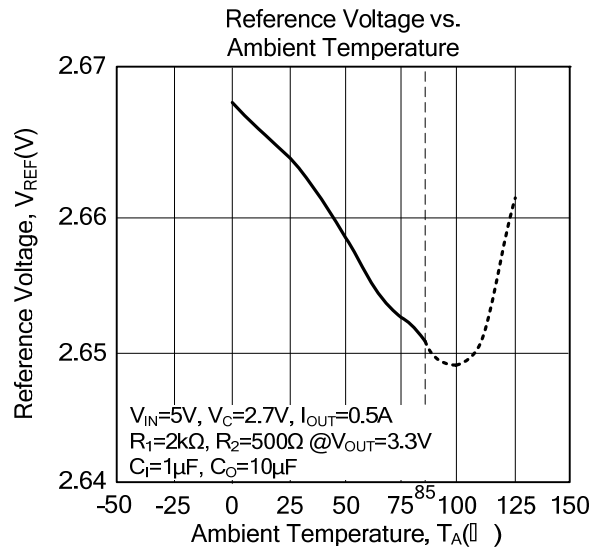
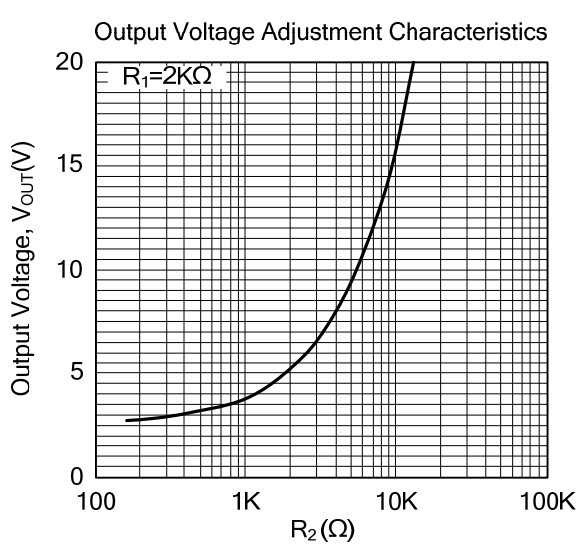
For Standard Measuring Circuit of Regulation Portion



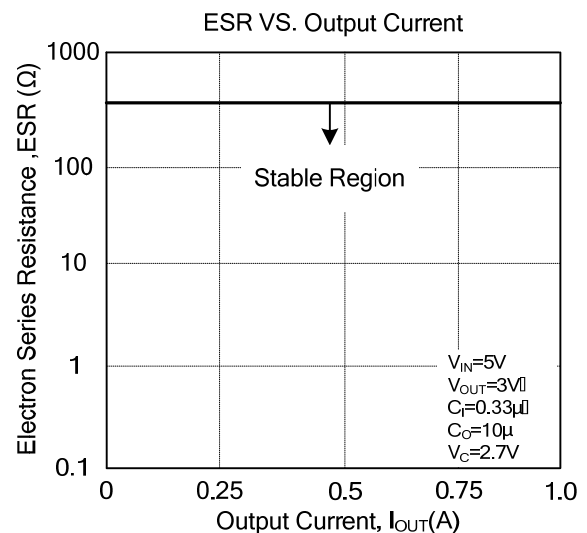
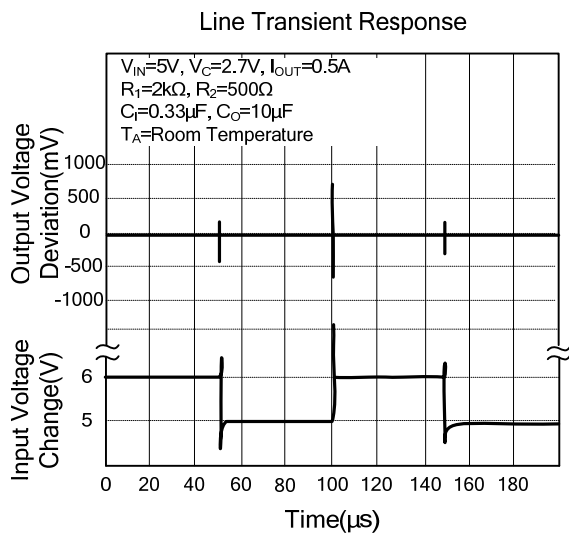
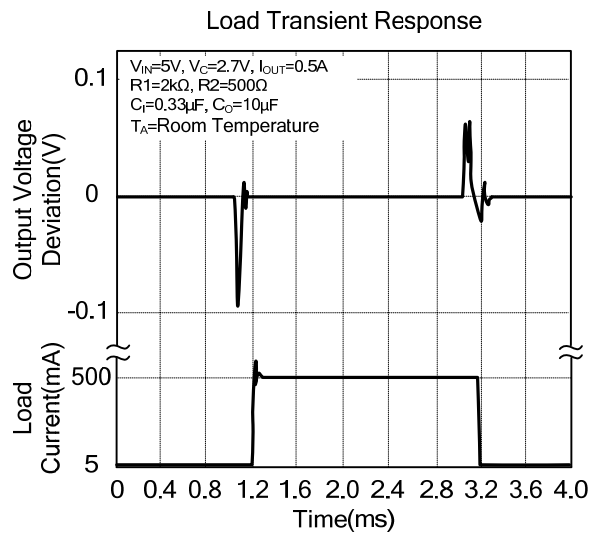
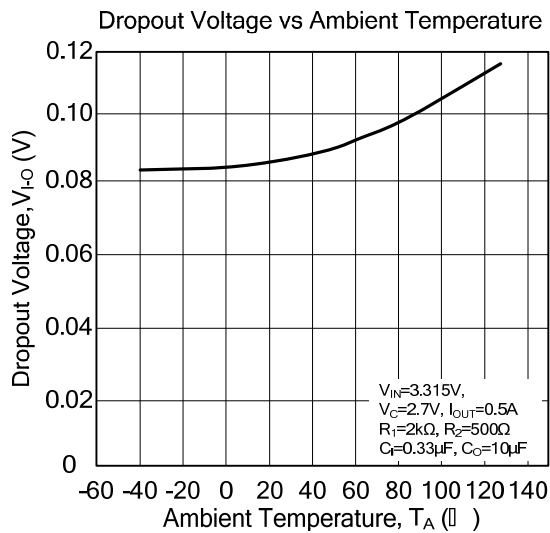
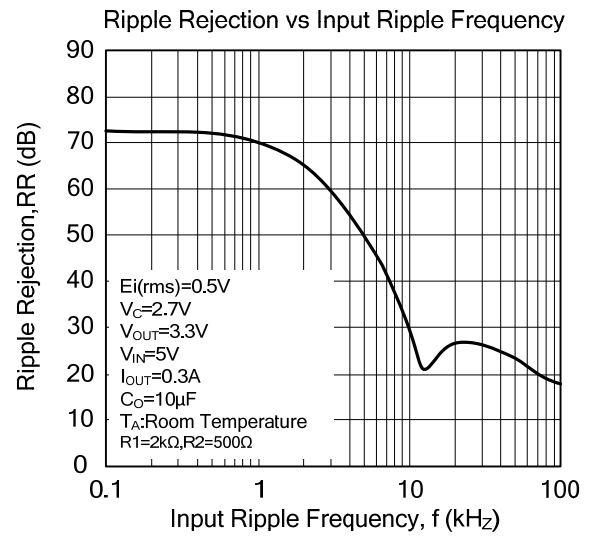
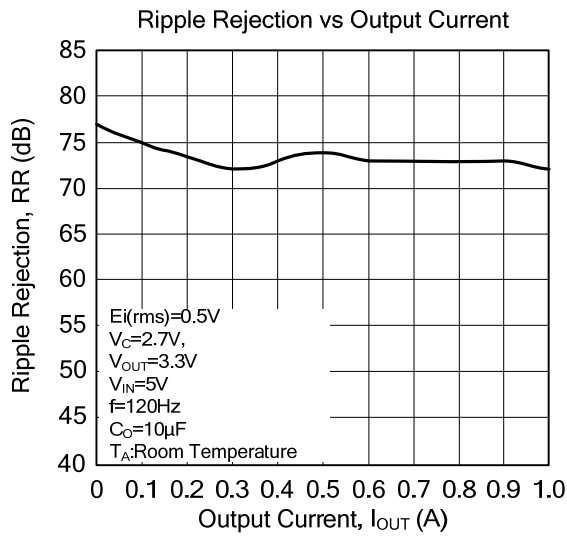
For Standard Measuring Circuit of Ripple Rejection Critical Rate



TYPICAL CHARACTERISTICS



■ TYPICAL CHARACTERISTICS (Cont.)



UTC assumes no responsibility for equipment failures that result from using products at values that exceed, even momentarily, rated values (such as maximum ratings, operating condition ranges, or other parameters) listed in products specifications of any and all UTC products described or contained herein. UTC products are not designed for use in life support appliances, devices or systems where malfunction of these products can be reasonably expected to result in personal injury. Reproduction in whole or in part is prohibited without the prior written consent of the copyright owner. UTC reserves the right to make changes to information published in this document, including without limitation specifications and product descriptions, at any time and without notice. This document supersedes and replaces all information supplied prior to the publication hereof.