



U74HCT640

CMOS IC

OCTAL BUS TRANSCEIVERS WITH 3-STATE OUTPUTS

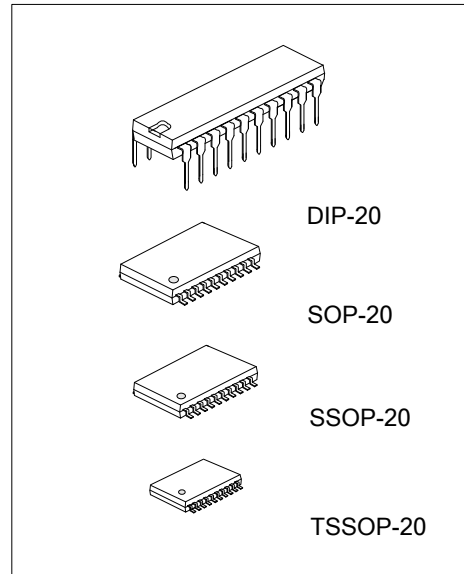
DESCRIPTION

The **U74HCT640** is a octal bus transceivers with 3-state outputs. It is designed for asynchronous two-way communication between data buses. Depending on the direction-control (DIR) input, data are transmitted from the A bus to the B bus or from B bus to the A bus.

When \overline{OE} is high, the buses are effectively isolated. When \overline{OE} is low, the buses are enable.

FEATURES

- * Inputs are TTL-voltage compatible
- * Typical t_{PD} of 12ns at 5.5V, $C_L=50pF$
- * Low power consumption, $I_{CC} = 8\mu A$ (Max) at 5.5V
- * $\pm 6mA$ output driver at 4.5V



ORDERING INFORMATION

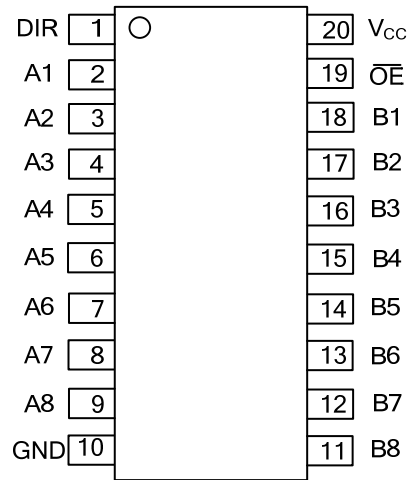
Ordering Number		Package	Packing
Lead Free	Halogen Free		
U74HCT640L-D20-T	U74HCT640G-D20-T	DIP-20	Tube
U74HCT640L-S20-R	U74HCT640G-S20-R	SOP-20	Tape Reel
U74HCT640L-R20-R	U74HCT640G-R20-R	SSOP-20	Tape Reel
U74HCT640L-P20-R	U74HCT640G-P20-R	TSSOP-20	Tape Reel

<p>U74HCT640G-D20-T</p> <p>(1)Packing Type (2)Package Type (3)Green Package</p>	<p>(1) R: Tape Reel, T: Tube (2) D20: DIP-20, P20: TSSOP-20, R20: SSOP-20, S20: SOP-20 (3) G: Halogen Free and Lead Free, L: Lead Free</p>
---	--

MARKING

DIP-20	SOP-20 / SSOP-20 / TSSOP-20
<p>UTC □□□□ → Date Code L: Lead Free U74HCT640□ → G: Halogen Free □□ → Lot Code</p>	<p>UTC □□□□ → Date Code L: Lead Free U74HCT640□ → G: Halogen Free □□ → Lot Code</p>

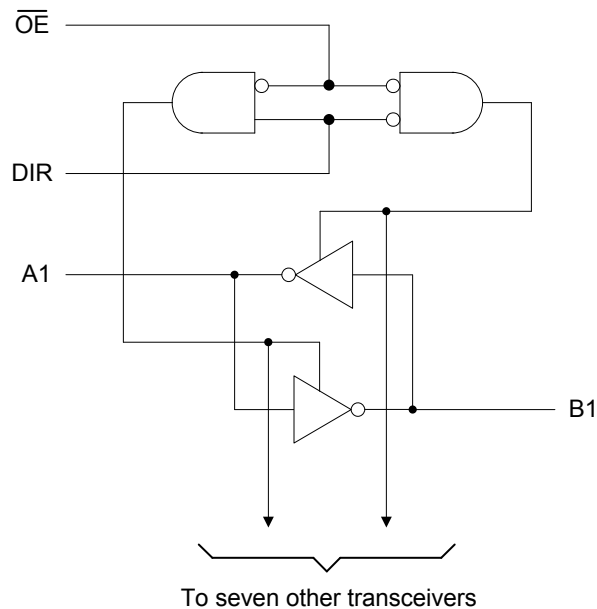
■ PIN CONFIGURATION



■ FUNCTION TABLE (each buffer)

INPUTS		OPERATION
\overline{OE}	DIR	
L	L	\overline{B} data to A bus
L	H	\overline{A} data to B bus
H	X	Isolation

■ LOGIC DIAGRAM (positive logic)



■ ABSOLUTE MAXIMUM RATING (Unless otherwise specified)

PARAMETER	SYMBOL	RATINGS	UNIT
Supply Voltage	V_{CC}	-0.5 ~ 7	V
Input Voltage	V_{IN}	-0.5 ~ 7	V
Output Voltage	V_{OUT}	-0.5 ~ $V_{CC}+0.5$	V
Input Clamp Current ($V_{IN}<0$)	I_{IK}	±20	mA
Output Clamp Current ($V_{OUT}<0$, or $V_{OUT}>V_{CC}$)	I_{OK}	±20	mA
Output Current	I_{OUT}	±25	mA
V_{CC} or GND Current	I_{CC}	±50	mA
Storage Temperature	T_{STG}	-65 ~ +150	°C

Note: 1. The input and output voltage ratings may be exceeded if the input and output current ratings are observed.

2. Absolute maximum ratings are those values beyond which the device could be permanently damaged.

Absolute maximum ratings are stress ratings only and functional device operation is not implied.

■ RECOMMENDED OPERATING COMDITIONS

PARAMETER	SYMBOL	CONDITIONS	MIN	TYP	MAX	UNI T
Supply Voltage	V_{CC}		4.5	5	5.5	V
High-Level Input Voltage	V_{IH}	$V_{CC} = 4.5V$ to $5.5V$	2			V
Low-Level Input Voltage	V_{IL}	$V_{CC} = 4.5V$ to $5.5V$	0		0.8	V
Input Voltage	V_{IN}		0		V_{CC}	V
Output Voltage	V_{OUT}		0		V_{CC}	V
Input Rise and Fall Times	t_R, t_F	$V_{CC} = 4.5V$	0		500	ns
Operating Temperature	T_A		-40		+125	°C

■ ELECTRICAL CHARACTERISTICS (Unless otherwise specified)

PARAMETER	SYMBOL	TEST CONDITIONS	MIN	TYP	MAX	UNIT
High-Level Output Voltage	V_{OH}	$I_{OH}=-20\mu A, V_{CC}=4.5V$	4.4	4.499		V
		$I_{OH}=-6mA, V_{CC}=4.5V$	3.98	4.30		
Low-Level Output Voltage	V_{OL}	$I_{OL}=20\mu A, V_{CC}=4.5V$		0.001	0.1	V
		$I_{OL}=6mA, V_{CC}=4.5V$		0.17	0.26	
Input Leakage Current (DIR or \overline{OE})	$I_{I(LEAK)}$	$V_{IN}=V_{CC}$ or 0, $V_{CC}=5.5V$		±0.1	±100	µA
High-Impedance State Current (A or B)	I_{OZ}	$V_{OUT}=V_{CC}$ or 0, $V_{CC}=5.5V$		±0.01	±0.5	µA
Quiescent Supply Current	I_{CC}	$V_{IN}=V_{CC}$ or 0, $I_{OUT}=0, V_{CC}=5.5V$			8	µA
Additional Quiescent Supply Current	ΔI_{CC}	One input at 0.5V or 2.4V, other inputs at 0V or $V_{CC}, V_{CC}=5.5V$		1.4	2.4	mA
Input Capacitance (DIR or \overline{OE})	C_{IN}	$V_{IN}=V_{CC}$ or 0, $V_{CC}=4.5V$ to $5.5V$		3	10	pF

■ SWITCHING CHARACTERISTICS (Unless otherwise specified)

PARAMETER	SYMBOL	TEST CONDITIONS	MIN	TYP	MAX	UNIT
Propagation delay from A to B or B to A	t_{PD}	$V_{CC}=4.5V, C_L=50pF, R_L=1k\Omega$		14	21	ns
		$V_{CC}=5.5V, C_L=50pF, R_L=1k\Omega$		12	18	
Enable times from \overline{OE} to A or B	t_{EN}	$V_{CC}=4.5V, C_L=50pF, R_L=1k\Omega$		27	35	ns
		$V_{CC}=5.5V, C_L=50pF, R_L=1k\Omega$		24	32	
Disable times from \overline{OE} to A or B	t_{DIS}	$V_{CC}=4.5V, C_L=50pF, R_L=1k\Omega$		20	30	ns
		$V_{CC}=5.5V, C_L=50pF, R_L=1k\Omega$		18	26	
Output rise or fall time	t_T	$V_{CC}=4.5V, C_L=50pF, R_L=1k\Omega$		9	12	ns
		$V_{CC}=5.5V, C_L=50pF, R_L=1k\Omega$		8	11	

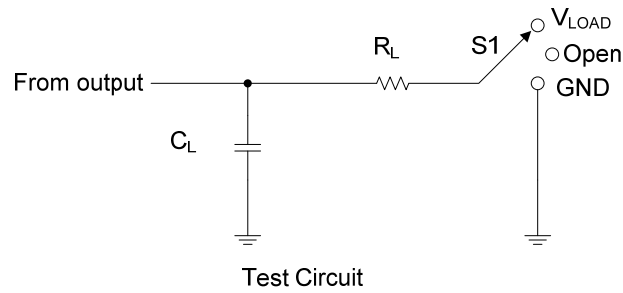
■ SWITCHING CHARACTERISTICS (Unless otherwise specified)

PARAMETER	SYMBOL	TEST CONDITIONS	MIN	TYP	MAX	UNIT
Propagation delay from A to B or B to A	t_{PD}	$V_{CC}=4.5V, C_L=150pF, R_L=1k\Omega$		17	27	ns
		$V_{CC}=5.5V, C_L=150pF, R_L=1k\Omega$		15	24	
Enable times from \overline{OE} to A or B	t_{EN}	$V_{CC}=4.5V, C_L=150pF, R_L=1k\Omega$		31	45	ns
		$V_{CC}=5.5V, C_L=150pF, R_L=1k\Omega$		28	41	
Output rise or fall time	t_T	$V_{CC}=4.5V, C_L=150pF, R_L=1k\Omega$		17	42	ns
		$V_{CC}=5.5V, C_L=150pF, R_L=1k\Omega$		14	38	

■ OPERATING CHARACTERISTICS (Unless otherwise specified)

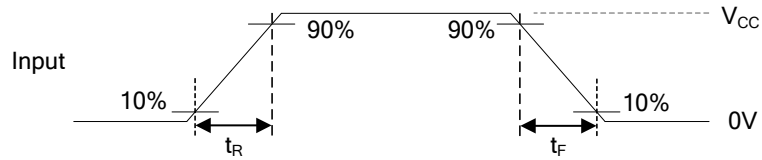
PARAMETER	SYMBOL	TEST CONDITIONS	TYP	UNIT
Power dissipation capacitance	C_{PD}	No load	40	pF

■ TEST CIRCUIT AND WAVEFORMS



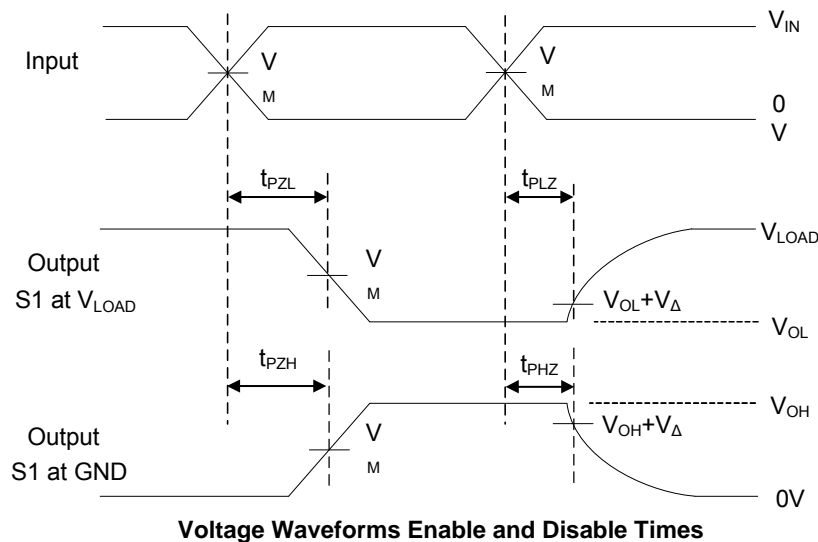
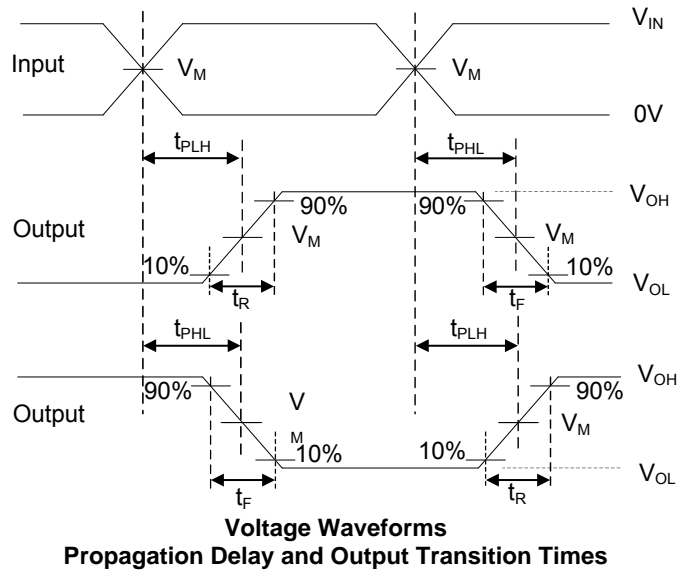
TEST	S1
t_{PLH}/t_{PHL}	Open
t_{PLZ}/t_{PZL}	V_{LOAD}
t_{PHZ}/t_{PZH}	GND

V_{CC}	Input		V_M	V_{LOAD}	C_L	R_L	V_{Δ}
	V_{IN}	t_R, t_F					
$5V \pm 0.5V$	V_{CC}	$\leq 6ns$	$V_{CC}/2$	V_{CC}	50pF	1k Ω	0.5V
					150pF		



Voltage Waveforms Input Rise and Fall Times

■ TEST CIRCUIT AND WAVEFORMS (Cont.)



- Notes:
1. C_L includes probe and jig capacitance.
 2. All input pulses are supplied by generators having the following characteristics: $P_{RR} \leq 1\text{MHz}$, $Z_0 = 50\Omega$, $t_R=6\text{ns}$, $t_F=6\text{ns}$.
 3. t_{PLH} and t_{PHL} are the same as t_{PD} .
 4. t_{PLZ} and t_{PHZ} are the same as t_{DIS} .
 5. t_{PZH} and t_{PZL} are the same as t_{EN} .

UTC assumes no responsibility for equipment failures that result from using products at values that exceed, even momentarily, rated values (such as maximum ratings, operating condition ranges, or other parameters) listed in products specifications of any and all UTC products described or contained herein. UTC products are not designed for use in life support appliances, devices or systems where malfunction of these products can be reasonably expected to result in personal injury. Reproduction in whole or in part is prohibited without the prior written consent of the copyright owner. UTC reserves the right to make changes to information published in this document, including without limitation specifications and product descriptions, at any time and without notice. This document supersedes and replaces all information supplied prior to the publication hereof.